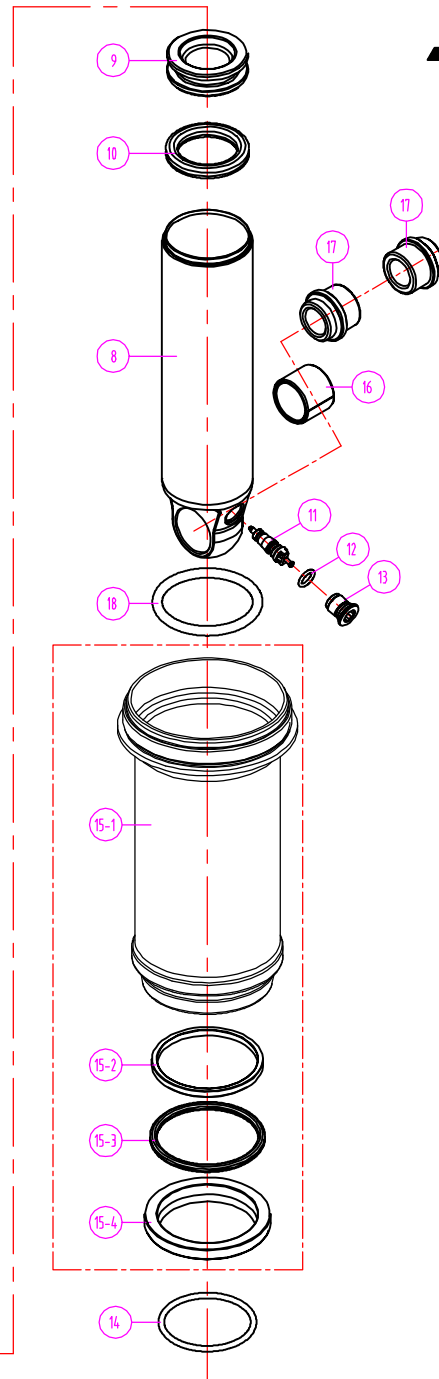
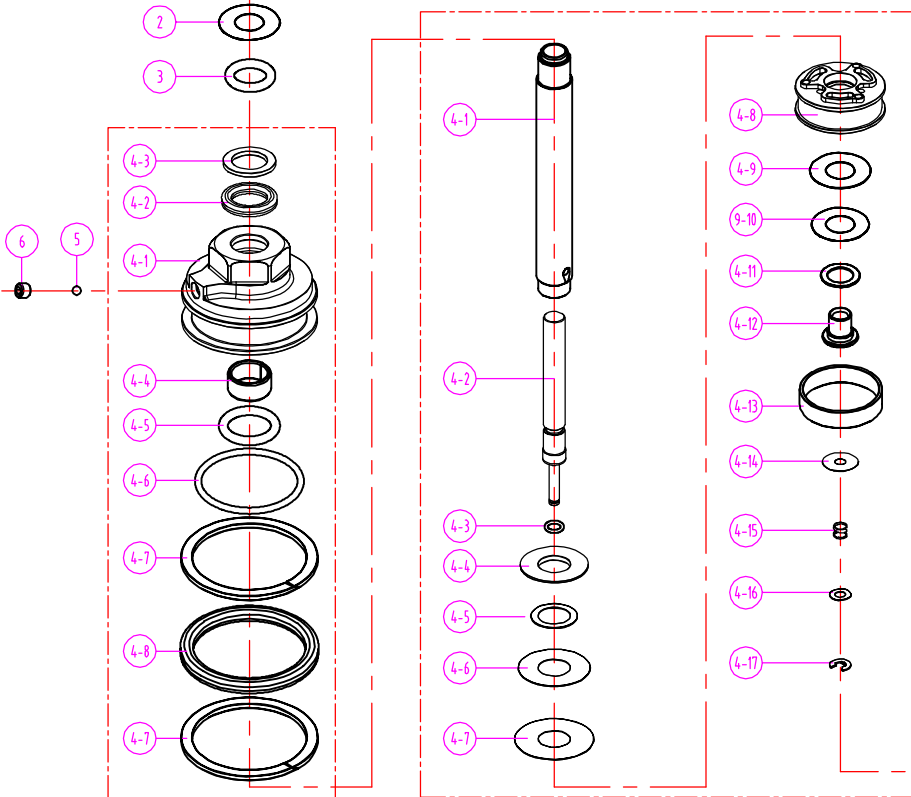
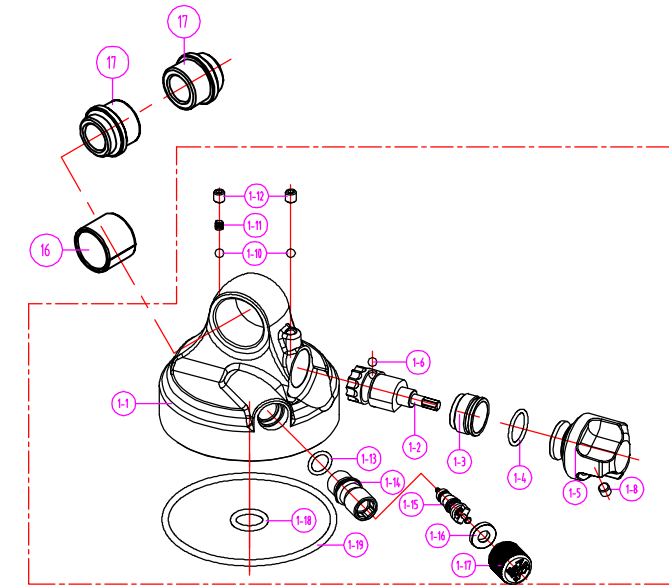


SR SUNTOUR

RS19-EDGE R

IMPERIAL

Date	2018.09.05	Version	1
Amended			



NO.	DESCRIPTION	SR CODE	MATERIAL	216 63	200 57	200 51	190 51	184 44	165 38	152 31
18	O RING	FAA352	NBR	1	1	1	1	1	1	1
17	AL BUSHING	RAA073	AL6061	2	2	2	2	2	2	2
		RAA072	AL6061	2	2	2	2	2	2	2
16	DU	REE074	STEEL	2	2	2	2	2	2	2
15	CAS CYLINDER ASSEMBLY	RBA306-60								1
		RBA306-50							1	
		RBA306-40						1		
		RBA306-30					1	1		
		RBA306-20				1				
14	O RING	RAA100	NBR	1	1	1	1	1	1	1
13	AIR CAP	RAA102	AL6061	1	1	1	1	1	1	1
12	O RING	FAA140	NBR	1	1	1	1	1	1	1
11	AIR VALVE	FAA170		1	1	1	1	1	1	1
10	X RING	RAA046	NBR	1	1	1	1	1	1	1
9	FLOATING PISTON	REE066	AL6061	1	1	1	1	1	1	1
8	MAIN BODY	RLB101-8	AL7050							1
		RLB101-5	AL7050							1
		RLB101-4	AL7050					1	1	
		RLB101-2	AL7050				1			
		RLB101-3	AL7050			1				
7	MAIN SPINDLE ASSEMBLY	RBA313-60								1
		RBA313-50							1	
		RBA313-40						1		
		RBA313-30					1	1		
		RBA313-20			1					
		RBA313-10		1						
6	SCREW	PSB103	STEEL	1	1	1	1	1	1	1
5	STEEL BALL	DS0001	STEEL	1	1	1	1	1	1	1
4	SUPPORT SET ASSEMBLY	RBA304		1	1	1	1	1	1	1
3	O RING	RAA074	NBR	1	1	1	1	1	1	1
2	WASHER	RSW097	STEEL	1	1	1	1	1	1	1
1	TOP ASSEMBLY	RBA302-40		1	1	1	1	1	1	1